

MICRO-D ACCESSORIES

- Micro-D EMI-backshell 144
- AXOCLAMP® EMI band termination 147

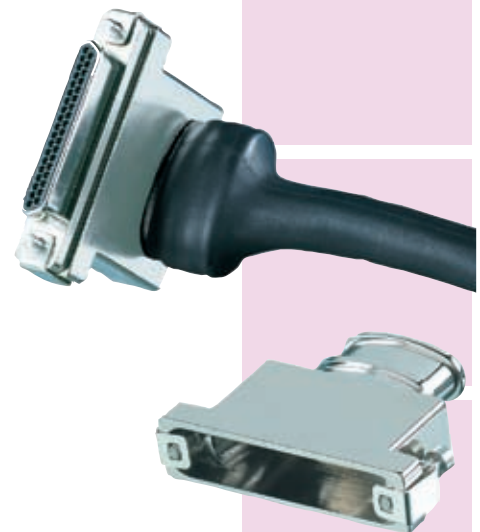
HARDWARE

- Removable jackscrews 148
- U-clip mounting jackscrews 150
- Non-removable hardware 151
- Removable jackposts 152
- Rear Panel mount jackposts. 153

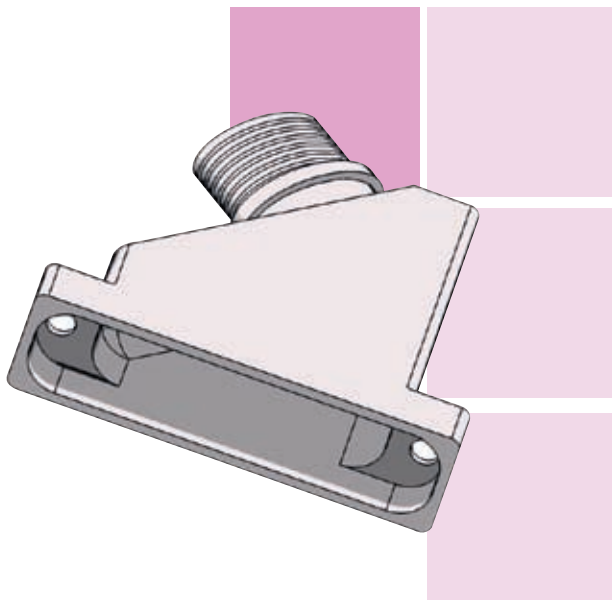
- **MICRO-D ASSEMBLY KIT** 154



Micro-D
accessories



MICRO-D EMI BACKSHELL



- Micro-D aluminium backshell for EMI termination.
- Supplied with stainless steel hardware.
 - Various entry sizes & shapes.
- Available for standard and micro AXOCLAMP® band termination.
 - Shell size from 9 to 100.

IDENTIFICATION CODE

AXON

F

37

05

E

1

C

F

SERIES

STYLE TYPE

- U** : Top entry.
- Z** : Side entry.
- F** : 45° entry.

CONNECTOR SIZE

09, 15, 21, 25, 31, 37, 51, 100.

ENTRY SIZE

From 01 to 11,

See page 146 for dimensions.

Other entry sizes available on request.

ENTRY TYPE

- E** : Elliptical.
- BLANK** : Circular.

MATERIAL

1 : Aluminium.

Other materials available on request.

PLATING OPTION

B : Cadmium, olive drab (5 to 10µm/ .0002" to .0004") per QQ-P-416, type II, class 3 over electroless nickel (2.5 to 7.5 µm/ .0001" to .0003"), 500 hr salt spray finish.

C : Electroless nickel per MIL-C-26074, class 4, grade B.

Y : Yellow chromate over cadmium per QQ-P-416, type II, class 2.

CHP : Hi Phos electroless nickel plate to BS EN ISO 4527:2003 (25 to 30 µm/ .001" to .0012")

HARDWARE OPTION

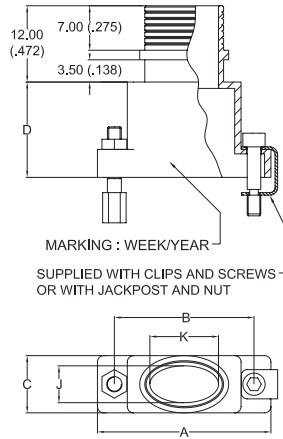
F : Female jackpost

BLANK : Male jackscrew

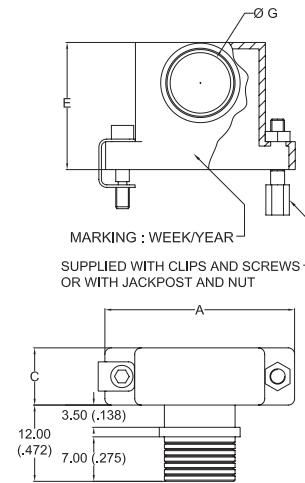
DIMENSIONS

Dimensions are in millimetres (inches).

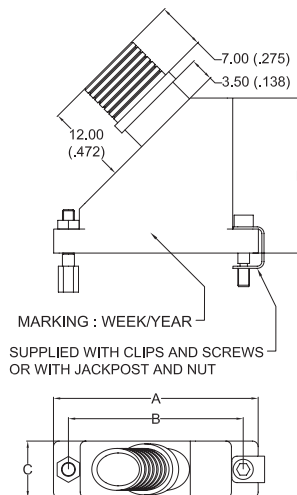
STYLE U : TOP ENTRY



STYLE Z : SIDE ENTRY

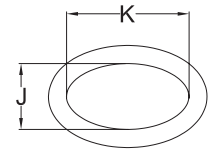


STYLE F : 45° ENTRY

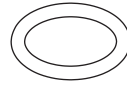


SHELL SIZE	A	B	C	D	E	F
9	19.70 .776	14.35 .565	9.00 .354	10.00 .394	15.00 .591	21.00 .827
15	23.40 .921	18.16 .715	9.00 .354	12.00 .472	16.50 .650	23.00 .906
21	27.30 1.075	21.97 .865	9.00 .354	14.00 .551	18.00 .709	25.00 .984
25	29.85 1.175	24.51 .965	9.00 .354	16.00 .630	20.00 .787	27.00 1.063
31	33.70 1.327	28.32 1.115	9.00 .354	17.00 .669	21.00 .827	28.00 1.102
37	37.50 1.476	32.13 1.265	9.00 .354	18.00 .709	22.00 .866	29.00 1.142
51	36.10 1.421	30.86 1.215	10.00 .394	19.00 .748	23.00 .906	30.00 1.181
100	55.00 2.165	45.72 1.800	11.00 .433	21.00 .827	25.00 .984	38.00 1.496

▶ ELLIPTICAL ENTRY

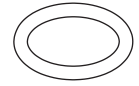


ELLIPTICAL ENTRY
STYLES U AND Z



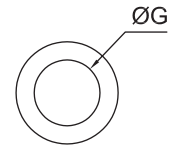
ENTRY SIZE	SHELL SIZE	J max.	K max.
04	09-100	5.80 .228	7.00 .276
05	15-100	5.80 .228	10.80 .425
06	25-100	5.80 .228	15.20 .598
07	37-100	5.80 .228	20.10 .791
08	51-100	6.80 .268	22.80 .898
09	100	7.80 .307	26.00 1.024

ELLIPTICAL ENTRY
STYLE F



ENTRY SIZE	SHELL SIZE	J max.	K max.
04	21-100	5.80 .228	7.00 .276
05	25-100	5.80 .228	10.80 .425
06	37-100	5.80 .228	15.20 .598
07	51-100	6.80 .268	17.70 .697
08	100	7.80 .307	20.60 .811
09	100	7.80 .307	26.00 1.024

▶ CIRCULAR ENTRY

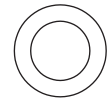


CIRCULAR ENTRY
STYLES U AND F



ENTRY SIZE	SHELL SIZE	G max.
01	09-100	1.60 .063
02	09-100	3.20 .126
03	09-100	4.80 .189
04	51-100	6.40 .252
05	100	8.00 .315

CIRCULAR ENTRY
STYLE Z



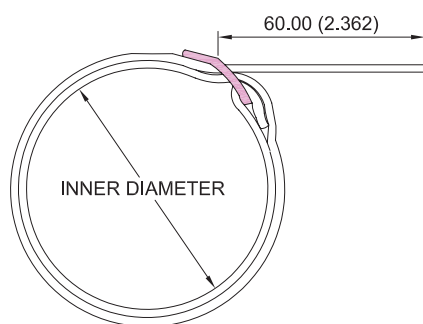
ENTRY SIZE	SHELL SIZE	G max.
01	09-100	1.60 .063
02	09-100	3.20 .126
03	09-100	4.80 .189
04	09-100	6.40 .252
05	15-100	8.00 .315
06	21-100	9.50 .374
07	25-100	11.10 .437
08	31-100	12.70 .500
09	37-100	14.30 .563
10	51-100	15.90 .626
11	100	17.50 .689

AXOCLAMP® EMI BAND TERMINATION

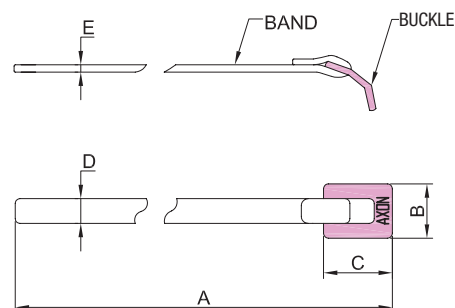
TYPE FT AX CL

Material : stainless steel AISI 316.

COILED AXOCLAMP®



STRAIGHT AXOCLAMP®



IDENTIFICATION CODE

AXCL	01
AXOCLAMP®	BAND TYPES 01 : standard 03 : microband double winding

MINIMUM QUANTITY
100 pieces per reference.

DIMENSIONS

Dimensions are in millimetres (inches).

SPECIFICATIONS	AXOCLAMP® STANDARD	AXOCLAMP® MICROBAND
REFERENCE	AX CL 01	AX CL 03
DIMENSION A	375 (14.764)	200 (7.874)
DIMENSION B	9 (.364)	5.2 (.205)
DIMENSION C	10 (.394)	5.5 (.217)
DIMENSION D	5.9 (.232)	3 (.118)
DIMENSION E	0.5 (.020)	0.35 (.014)
MINIMUM DIAMETER*	10 (.394)	5 (.197)
MAXIMUM DIAMETER*	40 (1.575)	15 (.591)

* Minimum and maximum diameter of the backshell funnel on which the AXOCLAMP® can be mounted.
For other dimensions, please consult us. For manual or pneumatic tooling, please consult us for the exact part number.

HARDWARE

▶ Removable jackscrews according to MIL-DTL-83513/05

FOR PIGTAIL & SOLDER CUP CONNECTORS ONLY.

- 2 sizes of hardware : one version for all shell sizes for 9 to 51 way and a separate version for the 100 way shell size.
- 1 kit consists of 2 screws and 2 e-rings.
- Hex socket head or slot head.
- Material : passivated 303 stainless steel.

Note

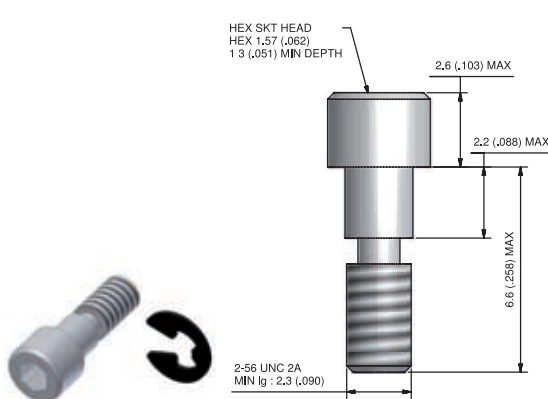
1st line : kit part number (to be used for ordering).

2nd line : military specification number.

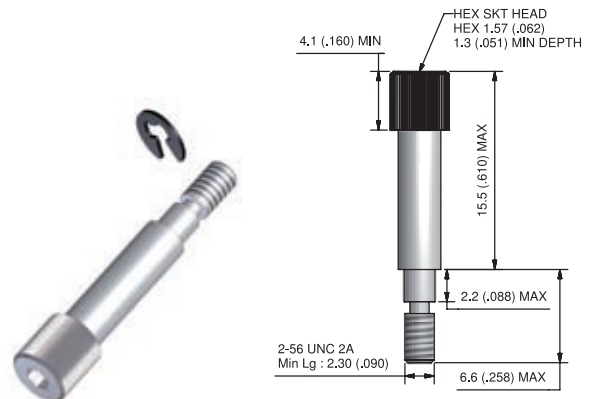
3rd line : hardware code for pigtail connector.

Dimensions are given in millimetres (inches).

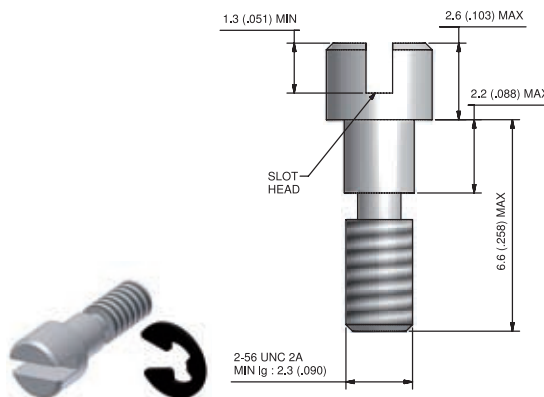
9-51 WAY HARDWARE



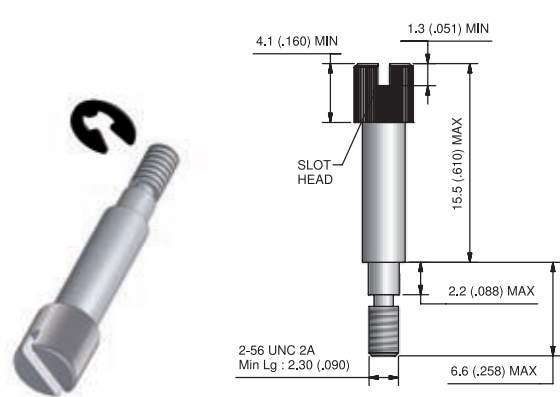
- KIT PART NUMBER : **MDAHM502**
According to M83513/05-02
Hardware code : **M**



- KIT PART NUMBER : **MDAHM503**
According to M83513/05-03
Hardware code : **N**

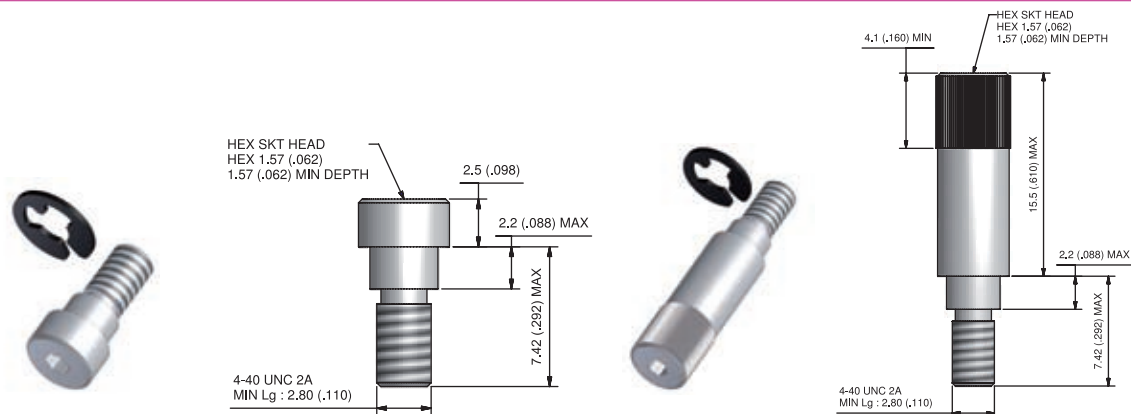


- KIT PART NUMBER : **MDAHM505**
According to M83513/05-05
Hardware code : **S**



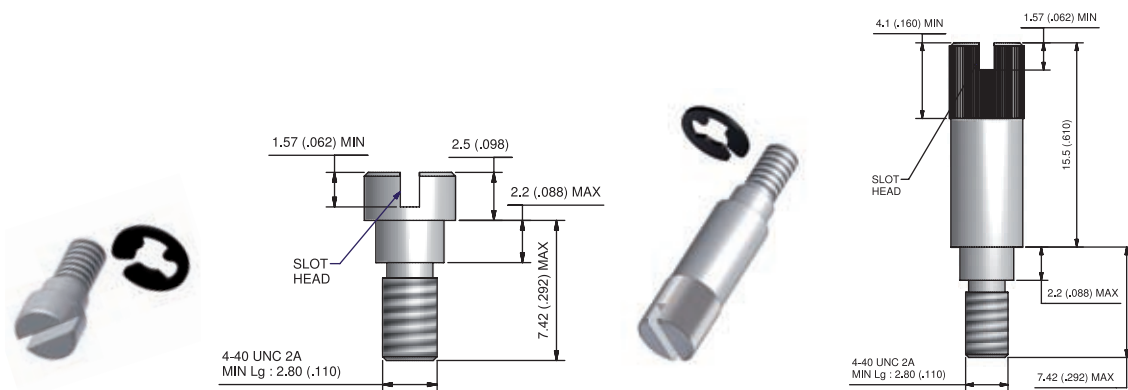
- KIT PART NUMBER : **MDAHM506**
According to M83513/05-06
Hardware code : **T**

100 WAY HARDWARE



- KIT PART NUMBER : **MDAHM512**
According to M83513/05-12
Hardware code : **M**

- KIT PART NUMBER : **MDAHM513**
According to M83513/05-13
Hardware code : **N**



- KIT PART NUMBER : **MDAHM515**
According to M83513/05-15
Hardware code : **S**

- KIT PART NUMBER : **MDAHM516**
According to M83513/05-16
Hardware code : **T**

► RECOMMENDED TORQUE

- 9 to 51 way jackscrew : 0.28 N.m / 2.5 inch-pounds.
- 100 way jackscrew : 0.51 N.m / 4.5 inch-pounds.

HARDWARE

► U-clip mounting jackscrews

FOR PIGTAIL & SOLDER CUP CONNECTOR ONLY.

- 2 sizes of hardware : one version for all shell sizes for 9 to 51 way and a separate version for the 100 way shell size.
- 1 kit consists of 2 screws and 2 U-clips.
- Hex socket head or slot head.
- Material : passivated 303 stainless steel.

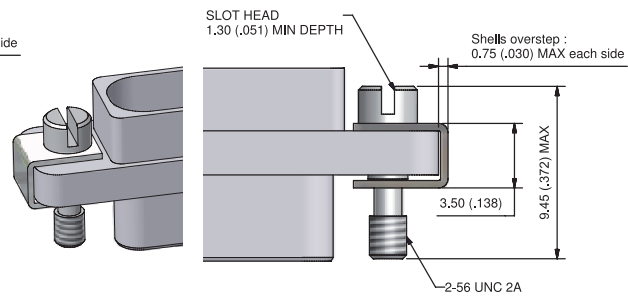
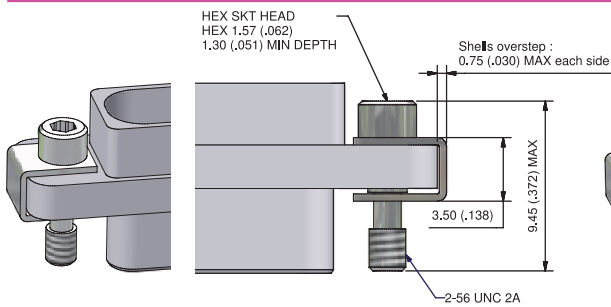
Note

1st line : kit part number (to be used for ordering).

2nd line : Hardware code for pigtail connector.

Dimensions are given in millimetres (inches).

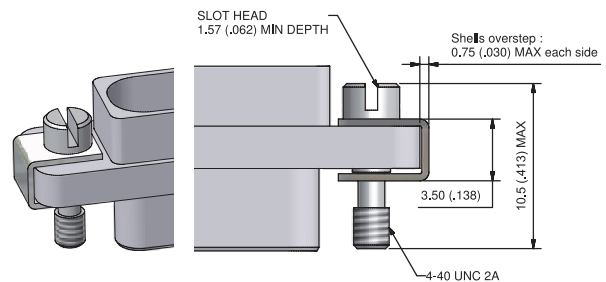
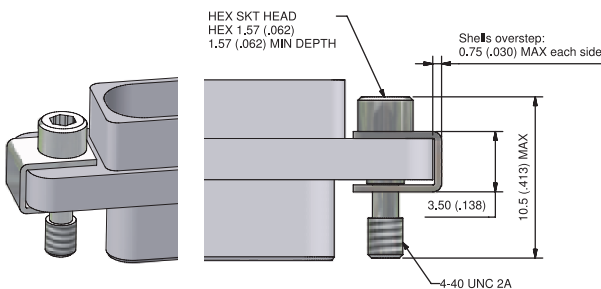
9-51 WAY HARDWARE



- KIT PART NUMBER : **MDAHM008**
Hardware code : **C**

- KIT PART NUMBER : **MDAHM009**
Hardware code : **D**

100 WAY HARDWARE



- KIT PART NUMBER : **MDAHM018**
Hardware code : **C**

- KIT PART NUMBER : **MDAHM019**
Hardware code : **D**

► RECOMMENDED TORQUE

- 9 to 51 way jackscrew : 0.28 N.m / 2.5 inch-pounds.
- 100 way jackscrew : 0.51 N.m / 4.5 inch-pounds.

► Non removable HARDWARE

FOR PIGTAIL & SOLDER CUP CONNECTORS ONLY.

- Hardware is factory installed.
- Cannot be supplied in kit form.

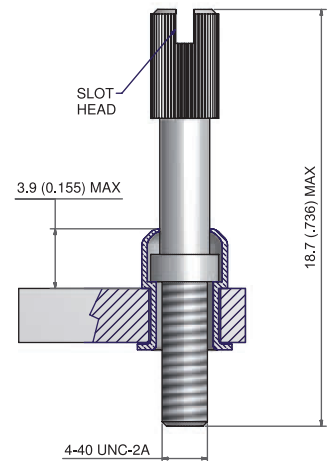
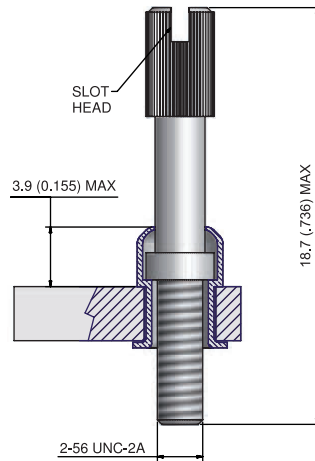
9-51 WAY HARDWARE

100 WAY HARDWARE

LONG JACKSCREW (SLOT HEAD)



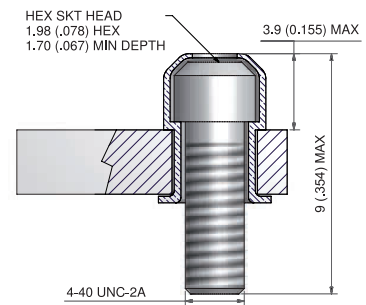
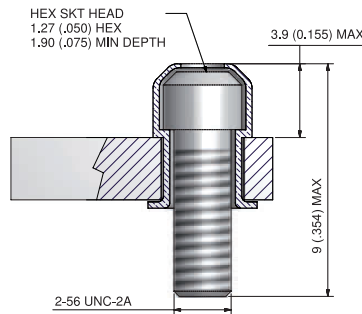
HARDWARE CODE : K



SHORT JACKSCREW (HEX SKT HEAD)



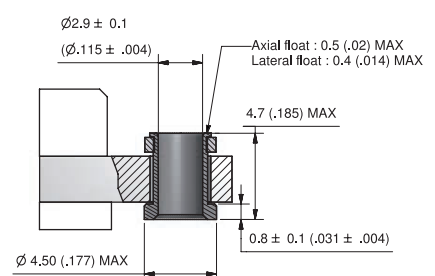
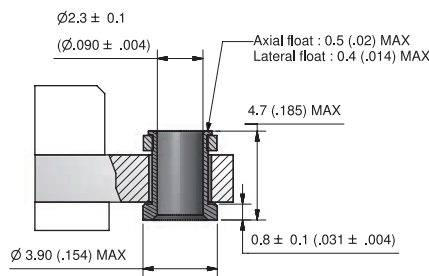
HARDWARE CODE : L



FLOAT MOUNT INSERT



HARDWARE CODE : F



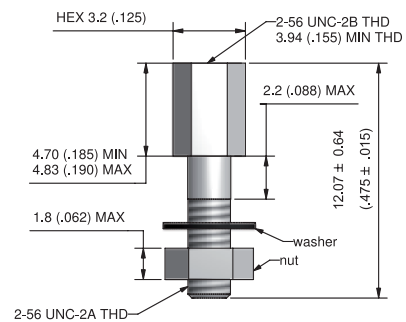
HARDWARE

▶ Removable jackposts according to MIL-DTL-83513/05

- 2 sizes of hardware : one version for all shell sizes for 9 to 51 way and a separate version for the 100 way shell size.
- 1 kit consists of 2 posts, 2 washers and 2 nuts.
- Material : passivated 303 stainless steel.

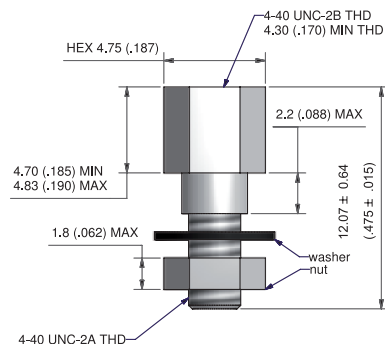
Note
1st line : kit part number (to be used for ordering).
2nd line : military specification number.
3rd line : Hardware code.
Dimensions are given in millimetres (inches).

9-51 WAY HARDWARE



- KIT PART NUMBER : **MDAHM507**
According to M83513/05-07
Hardware code : **P**

100 WAY HARDWARE



- KIT PART NUMBER : **MDAHM517**
According to M83513/05-17
Hardware code : **P**

MICRO-D ASSEMBLY KIT

Installation, maintenance and general handling of Micro-D connectors integrated within your system requires specific tooling and operating procedures. Axon' offers a toolbox with all the proper tools and instructions on how to safely handle Micro-D connectors. This toolbox greatly simplifies Micro-D handling, thus aiding correct installation. This in turn will guarantee the connector's performance in terms of signal and power transmission and product life.

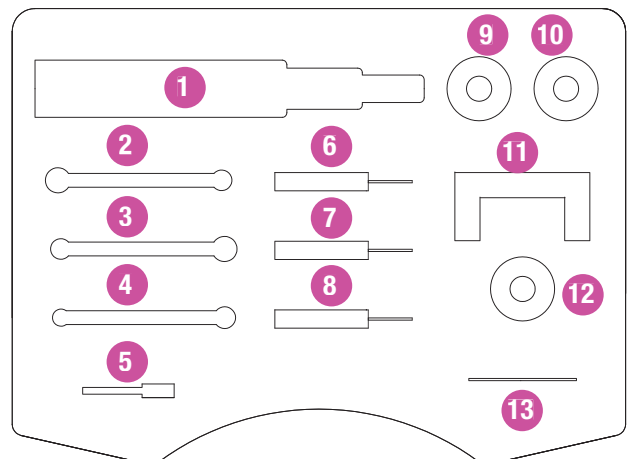
► Characteristics

- Compact assembly kit consisting of universal tools for the assembly of rectangular Micro-D connectors.
- Assembly of 9 to 51 way connectors, 100 way connectors and the majority of custom-designed connectors.
- Easy-to-mount components in any situation.
- Toolbox delivered with mounting/dismounting procedures : short instructions and a demonstration video (CD).
- Dedicated tooling with torque values as defined in the MIL-DTL-83513 standard : 0.28 N.m, 0.35 N.m, 0.51 N.m, 0.55 N.m. Optimisation of fastener/hardware performance and enhanced connection reliability.



▲ COMPACT AND LIGHTWEIGHT PACKAGE: DIMENSIONS 270X230X80MM (10.6X9X3.1") FOR A WEIGHT OF 750G (1.7LB)

ITEM	DESCRIPTION
1	Torque screwdriver
2	3/16" Allen wrench
3	5/32" Allen wrench
4	1/8" Allen wrench
5	Bit for slotted head screw
6	0.050" bit for hex screw
7	1/16" bit for hex screw
8	5/64" bit for hex screw
9	1/8" socket
10	3/16" socket
11	100-way de-mating tool
12	Socket adaptor
13	Assembly tool



To order the complete kit, Axon' product reference is P541268.